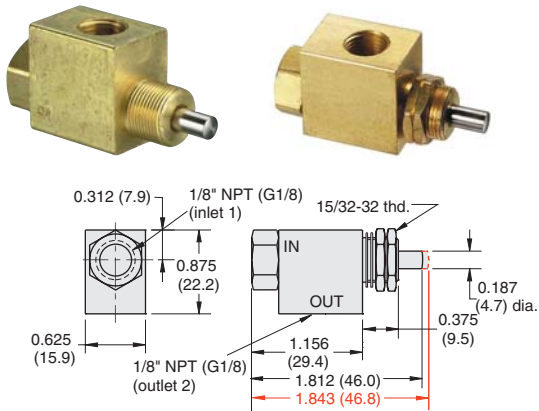




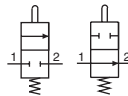
# 2-WAY STEM VALVES

## J-Series Miniature Valves



**Input Pressure:** MJV-2/MJV-2-MG - 300 psig/21 bar max.  
MJVO-2/MJVO-2-MG - 150 psig/10 bar max.

**Air Flow:** MJV-2/MJV-2-MG - 14.0 scfm @ 50 psig;  
25 scfm @ 100 psig; 600 l/min @ 6 bar  
MJVO-2/MJVO-2-MG - 7 scfm @ 50 psig;  
12 scfm @ 100 psig; 600 l/min @ 6 bar

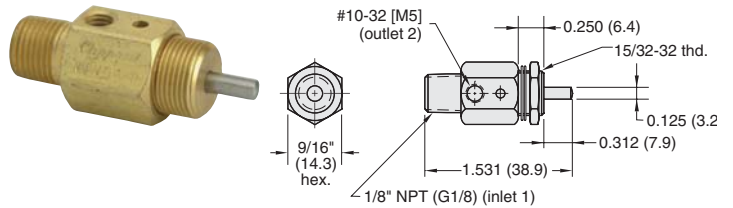


**Force For Full Stem Travel:** MJV-2/MJV-2-MG - 38 oz. nominal  
MJVO-2/MJVO-2-MG - 36 oz. nominal

**Mounting:** 15/32-32 thread. Nuts and lockwashers furnished.

Part No.	Description
<u>MJV-2</u>	Normally-Closed Poppet Valve, 1/8" NPT
<u>MJV-2-MG</u>	Normally-Closed Poppet Valve, G1/8
<u>MJVO-2</u>	Normally-Open Spool Valve, 1/8" NPT
<u>MJVO-2-MG</u>	Normally-Open Spool Valve, G1/8

## Normally-Open Spool Valve



**Input Pressure:** 150 psig max.

**Air Flow:** 6 scfm @ 50 psig; 100 scfm @ 100 psig

**Force For Full Stem Travel:** 32 oz. nominal

**Mounting:** 15/32-32 thread. Nut and lockwasher furnished.

Part No.	Description
<u>MAVO-2P</u>	Normally-Open Spool Valve



## J-Series Cartridge Valves



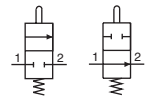
**Input Pressure:** 300 psig.

**Air Flow:** 11 scfm @ 50 psig; 22 scfm @ 100 psig

**Force For Full Stem Travel:** 24 oz. nominal

**Mounting:** Inserts into a 5/8" bore (0.625" ±0.001)

Part No.	Description
<u>MJV-2C</u>	Normally-Closed Cartridge Valve
<u>MJVO-2C</u>	Normally-Open Cartridge Valve



## Cartridge Valve Mounting

Clippard miniature cartridge valves offer the user flexibility in the application of 2-way and 3-way Normally-Open or Normally-Closed valves. Two sizes are provided: to fit either a 0.375" diameter bore or 0.625" diameter bore. They are used in Clippard heavy-duty limit switches and are suitable for pneumatic tools and manifolds or for any use where a valve needs to be built in.

